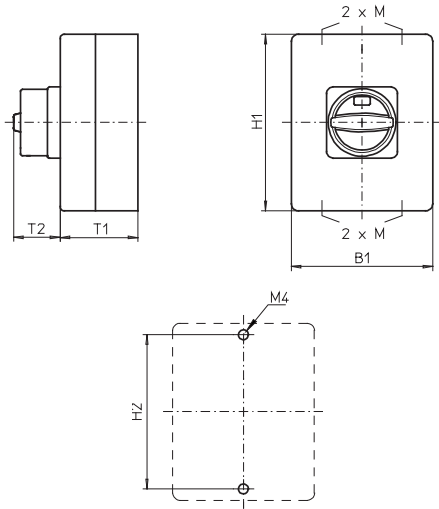


Dimensions in mm:

Setup of order code number

| Type | Switching progr. | Mtg. form |
|----------------|-------------------------|-----------|
| H216 | 41400 | 700M4 |
| Order code no. | H216-41400-700M4 | |



Insulated enclosures **125 × 100 × 85 mm**
and **175 × 115 × 100 mm**:

Types H216 / H220 / H226 / H233 / B240 / B250 / B263:

| Mtg. form | H1 | B1 | T1 | T2 | 2×M | H2 |
|-----------|-----|-----|-----|----|-------|-----|
| 700M4 | 125 | 100 | 85 | 38 | 20/25 | 115 |
| 700N4 | 125 | 100 | 85 | 33 | 20/25 | 115 |
| 700V4 | 125 | 100 | 85 | 32 | 20/25 | 115 |
| 710M4 | 175 | 115 | 100 | 38 | 20/25 | 165 |
| 710N4 | 175 | 115 | 100 | 33 | 20/25 | 165 |
| 710V4 | 175 | 115 | 100 | 39 | 20/25 | 165 |
| 720M4 | 175 | 115 | 100 | 38 | 20/25 | 165 |
| 720N4 | 175 | 115 | 100 | 33 | 20/25 | 165 |
| 720V4 | 175 | 115 | 100 | 39 | 20/25 | 165 |

Insulated enclosure **250 × 160 × 120 mm**:

Types H216 / H220 / H226 / H233:

| Mtg. form | H1 | B1 | T1 | T2 | 2×M | H2 |
|-----------|-----|-----|-----|----|-------|-----|
| 730M4 | 250 | 160 | 120 | 38 | 32/40 | 235 |
| 730N4 | 250 | 160 | 120 | 33 | 32/40 | 235 |
| 730V4 | 250 | 160 | 120 | 39 | 32/40 | 235 |
| 733M4 | 250 | 160 | 120 | 38 | 32/40 | 235 |
| 733N4 | 250 | 160 | 120 | 33 | 32/40 | 235 |
| 733V4 | 250 | 160 | 120 | 39 | 32/40 | 235 |

Types B240 / B250 / B263:

| Mtg. form | H1 | B1 | T1 | T2 | 2×M | H2 |
|-----------|-----|-----|-----|----|-------|-----|
| 730M4 | 250 | 160 | 120 | 50 | 32/40 | 235 |
| 730N4 | 250 | 160 | 120 | 45 | 32/40 | 235 |
| 730V4 | 250 | 160 | 120 | 39 | 32/40 | 235 |

Types H406 / H408 / H410 / H412:

| Mtg. form | H1 | B1 | T1 | T2 | 2×M | H2 |
|-----------|-----|-----|-----|----|-------|-----|
| 730M4 | 250 | 160 | 120 | 50 | 32/40 | 235 |
| 730N4 | 250 | 160 | 120 | 45 | 32/40 | 235 |

